

# High Peak Power Diode-side-pumped Laser Module



RealLight's high peak power diode-side-pumped laser modules use the self-developed water-cooled linear diode laser array as key component. With 5-phase pumping solution, these modules achieve a high gain and high peak power, and also control the effects of ASE very well. Featuring excellent beam quality, compact design and low thermal effect, these modules are ideally suited for solid state laser manufacturing. In addition to standard specifications, other output powers and special requirements are available upon request.

## Key Features

- ◆ High conversion efficiency
- ◆ Excellent beam quality
- ◆ Stable and reliable
- ◆ Cost-effective

## Applications

- Aesthetic medicine
- Laser amplification
- Laser welding
- Material processing

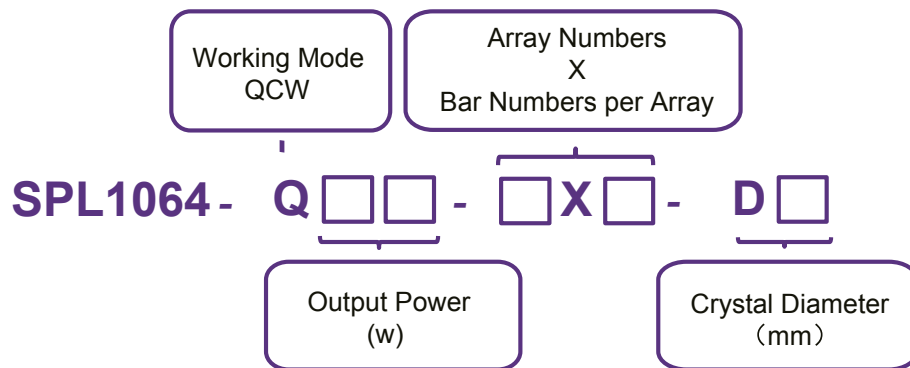
## Technical Specifications (25°C)

	Parameters	Unit	Value	
Optical	Center Wavelength	nm	1064	
	Output Power	W	>25	>40
	Crystal Diameter	mm	8	9
	Bar Numbers	Pcs	25	30
Electrical	Operating Current	A	<280	<280
	Operating Voltage	V	<40	<60
	Working Mode	-	QCW	
	Duty Cycle	%	<3	
	Pulse Width	μs	<300	
Cooling	Repetition Rate	Hz	<100	
	Water Flow Rate	L/min	10-15	
	Operating Temperature	°C	25±2	
	Coolant	-	distilled water	
	Storage Temperature	°C	10-50	

## Order Information

Wavelength (nm)	Part Number	Output Power (W)	Crystal Diameter (mm)	Bar Numbers	Working Mode
1064	SPL1064-Q25-5x5-D8	25	8	25	QCW
	SPL1064-Q40-5x6-D9	40	9	30	QCW

## Part Numbering Schema



## Mechanical Drawings (in mm)

